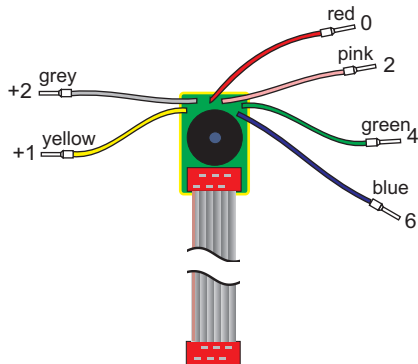


Cable set with acoustic sound for connecting to conventional push-buttons

The LCN-T8 is an LCN-connecting cable set with additional acoustic sound for conventional; potential free push-buttons.

It is suitable for operating with LCN-UPP, -UPS or -UP24 modules.

Every push-button input differs between the activities "**HIT, LONG und RELEASE**".



To the T-connection of an
intelligent LCN module

Notes

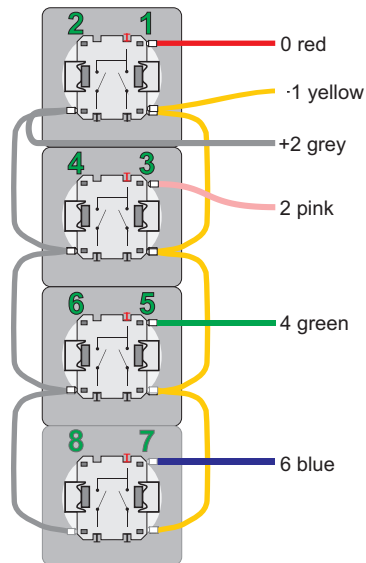
The connecting cables between a push-button and the LCN-T8 must not exceed a maximum length of 0,5 m.

(for longer extensions/connections, the LCN-BT4R or LCN-TU4RL are available.)

The LCN-T8 is not provided for permanent contacts, use a binary sensor like the LCN-B3I for this purpose. Further more it is not possible to evaluate two or more push-buttons at the same time!

Unused wires must be insulated !

Maximum connections on the LCN-T8



Notes for connecting

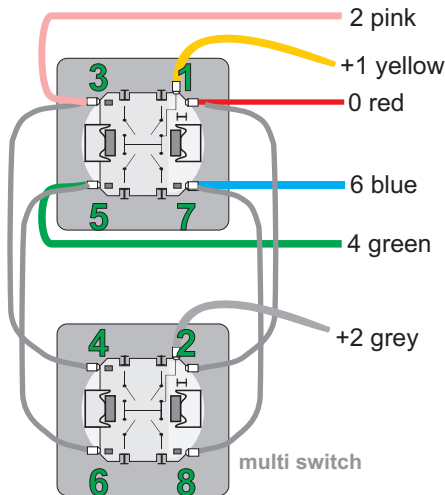
The push-button numbers are resulted through an addition of the wire numbers (example: push-button 5 = wire 4 (green) and wire + 1 (yellow)).

If for example only 4 push-buttons have to be evaluated, the green and the blue wire remain unused; please insulate the wire-end sleeves.

Included in delivery

LCN-T8 & 6 wires

Multi switch push-buttons on the LCN-T8

**Notes for connecting**

With the four way push-buttons (“Multi switches”, etc.), the yellow wire is used as a common return conductor on one multi switch. The grey wire is the common return conductor on the second multi switch.

The wires with the colours red, pink, green and blue are connected to the individual push-buttons. Do not forget to bridge both multi switches as shown.

Tip: If you are not sure, which key must be parameterized, The LCN-PRO will help you : Open the bus monitor window <F8>. When you push a button now, its number will appear in the bus monitor window.

Technical data:**Connection:**

wire type: flexible wires 0,75 mm², with wire-end sleeves

Inputs:

connection length: up to max. 0,5 metre extendable per input
(for longer connection cables, the LCN-BT4R
or LCN-TU4RL are available.)

General data:

operating temperature: -10°C bis +40°C
air humidity: max. 80% rel., non condensing

environmental conditions: Use as stationary installation according to
VDE632, VDE637

protection art: IP 20, when using in flush mounted box

dimensions (B x L x H): 10 mm x 22 mm x 11 mm

flat cable: 160 mm

Technical information and images are non binding. Changes are reserved.

Technical hotline: +49 5066 998844 or www.LCN.de