

LCN light sensor for the I-port

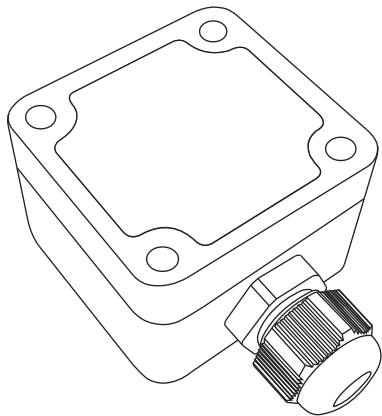
The LCN-LSA is a light sensor for the I-port of an LCN Bus module with firmware 120C05 (Dec. 2008) or after.

The LCN-LSA is suitable for installing outdoors.

Connection

The connection is carried out over a shielded I-port extension. The length of the cable to the Bus module can be up to 50m (all sections added together). For this, an LCN-IV or -IVH is needed (not included in delivery).

For further details, please read under www.LCN.de/Downloads the document "TDi connection from peripherals"



How it functions

The LCN-LSA will be detected automatically. The actual measured value will be registered in the variable 3 (with older modules R2Var). You can check the value in the analogue status window in the LCN-PRO. The processing of the light values is carried out either with switch thresholds or regulators.

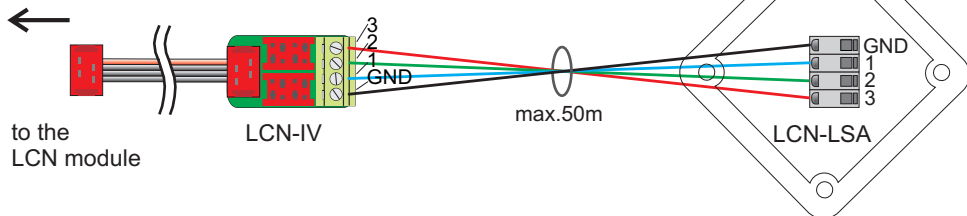
The measured light values are logarithmised, to be able to present the large value scale in a better way, see graphic on page 3.

$$1 - 100.000 \text{ Lx} = 1 - 1152 \text{ (LCN-value)}$$

conversion formula

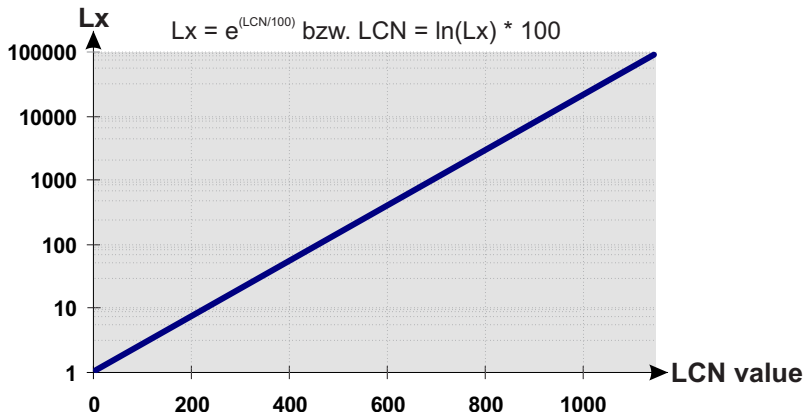
$$\text{Lx} = e^{(\text{LCN}/100)} \text{ or } \text{LCN} = \ln(\text{Lx}) * 100e$$

Scheme of the I-port extension:



The cable to the I-port (flat cable and low voltage cable) is a signal line and must be handled according to the actual VDE guidelines.

Relation between Lux values and LCN number values:

**Important note:**

Despite its extensive functionalities, the LCN system is simple to install and programme: However a **training course is necessary for every electrician**, who installs this system. The direct users support over the telephone hotline, is only free of charge and open to installers who have taken part in a training course.

Note

The following peripherals may be used parallel to the LCN-LSA on the I-port: LCN-BMI, -TS, -GRT, -ULT, -GT2, -GT4D, -GT10D, -GT3L, but no more than 5 I-periphery devices at the same time.

Important: Operating the LCN-IV as pulse counter / counter input is not possible!

Technical data**connection**

power supply:	not needed (over I-port)
power consumption:	<0,01W
LCN-connection:	I-port extension
terminals/wire type:	screwless terminal 0,2-0,75mm ²
measuring spectrum:	450-700nm (adapted to the human eye)
measuring range:	1-100.000Lx
accuracy:	±15% over the whole measuring range
triggering:	1% from Lux measured value

installation

operating temperature:	-10°C to +50°C
environmental conditions:	use as stationary installation accord. to VDE632, VDE637
protection art:	IP 65
dimensions:	51mm x 36mm x 51mm (W x D x L)

Technical information and images are non binding. Changes are reserved.

Technical hotline: +49 5066 998844 or www.LCN.de