

LCN-ULT

Universal transponder reader

The LCN-ULT is a universal transponder reading device for installing in flush mounted wall-boxes. It recognises all LCN-transponders and passive transponder types of other manufacturers, Junghans transponder watches and most transponder car keys. Firmware updates are available for any future transponder types (should this prove necessary).

Description:

The LCN-ULT is suited for indoor and outdoor use and intended for fitting in a 68mm flush mounted socket.

It is for reading passive transponders at a distance of up to 7cm.

Access control, clocking systems and automatic building functions can all be set with the reading device.

The reading device comes with a white or silver-grey plastic cover. The 5 metre long connection cable is already fitted.

The LCN-ULT can be connected to the I-Port of any LCN module dating from 2009.

Hardware equipment:

LCN-ULT reading device for transponder

LCN-ULT master card

LCN-IV I-Port extension

LCN-NU16 power supply

Torx-Bit TX-10

Torx fixing screw

Installation instructions



Function:

When the transponder is within reading distance of the LCN-ULT, the individual transponder-ID is transmitted to the I-Port of the connected LCN module and evaluated.

The LCN-ULT remains unconfigured on delivery. Only needing to be done once, the necessary transponder type can be set using the master card so that only corresponding transponder data from the same system can be read.

Every transponder can be given individual authorisation with the LCN-PRO software.

Note:

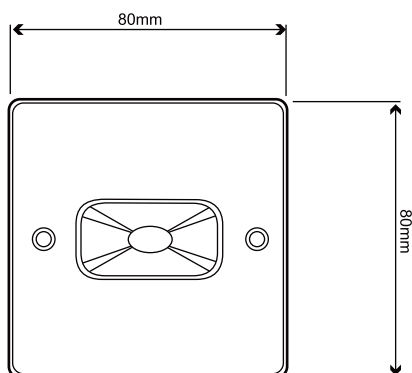
For more detailed information please refer to the installation instructions.

LCN-ULT

Universal transponder reader

Dimensions:

Cover: (LxH):	80mmx 80mm
Fixing Height:	11,7mm
Socket Depth:	27,7mm
Connection Cable:	5m



Technical data

Connection:	
Supply Voltage:	LCN-NU16 or power supply 6V-11,5VDC (stable)
Current	max. 110mA
LF-Magnetic field:	120kHz – 140kHz
Rearlighting:	Duo-LED blue/Red
Reading Distance:	0,2cm – 7cm (Dependent on transponder type installation location of antenna)
Supported Card Systems:	LCN-ZTK; LCN-ZTS; LCN-AT2; EM-H4001/ 4002/ 4102/ 4402/ 4050/ 4150/ 4450, Megamos, ATMEL, Philips, Sokymat Nova, TexasInstruments, Temic, NXP, further systems on request
General Data:	
Operation Temp:	-30 °C to +70 °C
Environmental Conditions:	Stationary installation to VDE632 and VDE637
Safety classification:	IP65
Application Area:	In- and outdoors
Material:	ASA (weather and UV resistance)
Weight without Cable:	85g

Assembly: de-centralized installation in deep flush-mounted box

Frame: Available in white and silver

Circuit Diagram

