

LCN-TL12R

Tableau-converter for 8 potential keys & 12 LEDs for wall mounting with com. cathode (-)

The LCN-TL12R converts any eight (potential free) keys on the T-port connection (key input) of the LCN bus module. In addition the LCN-TL12R controls twelve LEDs (with or without a series resistor).

Each key recognises the established commands: **'Hit, Hold and Release.'**

It is designed to be used with the LCN-UPP or UPS modules; it can however be used with the LCN-HU, LCN SH and the LCN-LD modules.

Description:

The LCN-TL12R can connect to potential free EIB key sensors such as the Jung series 2224 and 2248 or the Berker 4 way TS glass sensor.

A further possible application is for controlling conventional tableaux/control panels with up to 12 LEDs. The LEDs can be used with or without inbuilt series resistors.

For LED control, the states 'off, on, flash and flicker' are supported. The outputs are power sources with switchable current outputs (2mA/10mA) to control the LEDs.



Hardware equipment:

Cable with plug for T-Port connection

Cable with tin-plated ends for the in/outputs

Screw terminals for connection of the LCN-NU16.

Note:

In addition an LCN-NU16 is required for supply of the LEDs.
 Input cable extendable to 5m.
 Not suitable for permanent contacts.
 The connection cable for the keys and LEDs lead to N-potential!
 The connections marked with "M" are bridged in the module! At least one connection must be connected.
 For more detailed information please refer to the installation instruction manual.

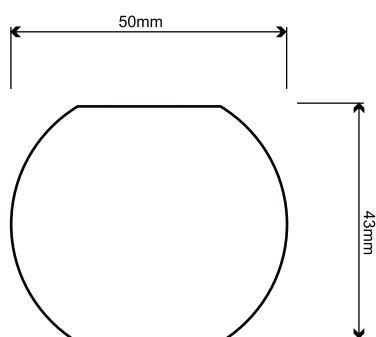
LCN-TL12R

Tableau-converter for 8 potential keys & 12 LEDs for wall mounting with com. cathode (-)

Dimensions:

(\varnothing x H):

50 mm x 20 mm



Assembly:

de-centralized installation in deep flush-mounted box

Technical Data:

Connection

power supply: LCN-NU16 or power supply
16-30V DC (stable)
power consumption: <math><0,05\text{W}</math>
terminals/wire type: single wire solid up to 1,5mm²,
fine wire up to 1mm², fine wire with
wire end sleeves up to 0,75mm²
T-connecting cable length
180mm → not extendable

LCN-connection:

0,08 mm \varnothing , length 200mm, cable
end tinned
extendable up to max. 5m → with
shielded cable

inputs/push-button function: 8 / Hit, Long, Release for potential
free push-buttons no permanent
contacts, extendable up to max.
5m with shielded cable

outputs:

12, for connecting LED's directly,
as well as for LED's with series
resistor <math><1\text{k}\Omega</math>,
source current 2mA or 10mA,
switchable

General details:

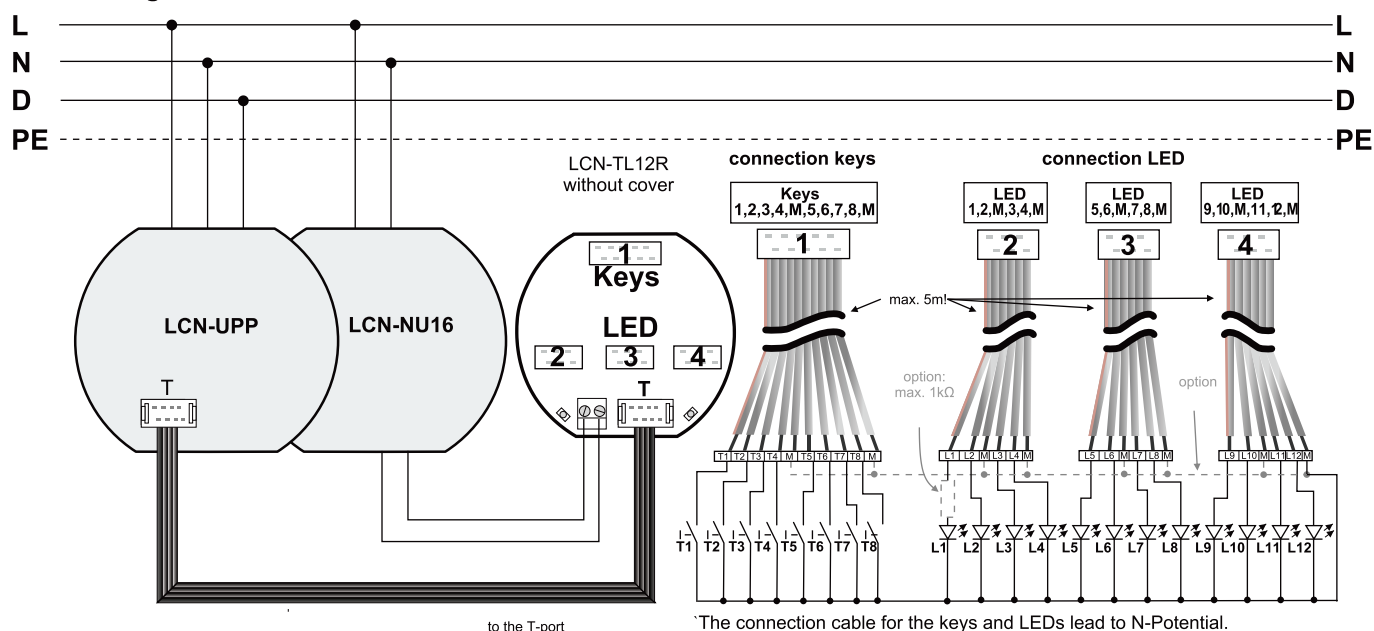
Operating temperature: -10C bis +40C
Humidity: max. 80% rel., no condensation

Environmental conditions: stationary installation according
to VDE632, VDE637

Safety classification:

IP 20

Circuit Diagram



¹The connection cable for the keys and LEDs lead to N-Potential.
²The connections marked with "M" are bridged in the module! At least one
connection must be connected.