

# LCN-LSA

## Light sensor for the outdoor area

The LCN-LSA is a light sensor for the outdoor area. The light sensor covers a very large measurement range of 5 decades (1-100,000 lux).

The LCN-LSA can be combined with any I port peripheral equipment at the I port of all intelligent LCN modules (-UPP, -UPS, -UP24, -SH, -SHS, -HU, -LD).

The LCN-LSA can take effect on the R1 and R2 controllers as well as the signal thresholds 1-5. Measured values can be exchanged between LCN modules and used for arithmetic operations. The sensor is supplied in a compact IP65 housing.



### Description:

The LCN-LSA light sensor can be used to measure the brightness in the outdoor area. This allows complex control systems to be implemented for interior and exterior lighting as well as shading systems.

### Hardware equipment:

Light sensor in the IP65 housing for wall mounting

Screw terminal for I port via I-Y(St)Y (up to 0.8 mm Ø)

### Note:

The installation location of the photosensor has a strong influence on the measured values. Detailed information can be found in the installation instructions.

# LCN-LSA

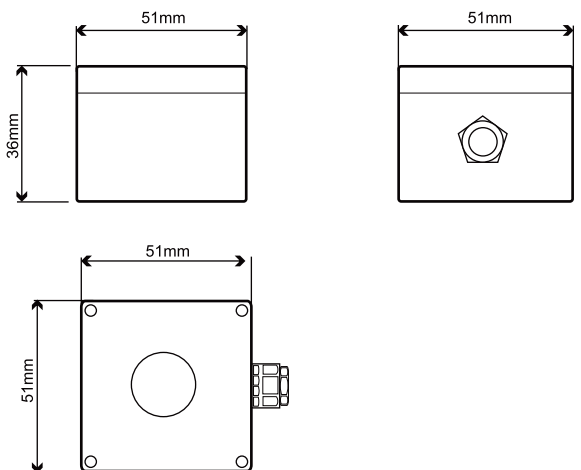
Light sensor for the outdoor area

**Technical Data:**

<b>Light Sensor:</b>	
Record range:	10Lx to 100.000Lx
Resolution:	10 Bit
Connection length:	max. 100m
Connection:	Screw terminal for I port via I-Y(St)Y (up to 0.8 mm Ø)
<b>General Details:</b>	
Operating temperature:	-10C to +40C
Environmental conditions:	stationary installation according to VDE 632, VDE 637
Safety classification:	IP 65

**Dimensions:**

(L x B x H) : 51mm x 51mm x 36mm



**Assembly:** screw fixture

**Circuit Diagram**

