

# LCN-DMXH

## DMX 512 Master / Slave Controller

The LCN-DMXH controller is used to control the 4 DMX channels, e.g. RGBW electronic ballasts. It must be connected to an intelligent bus module from firmware 1702 .. (Feb. 2013).

### Description:

The LCN module provides the brightness values of its 4 electronic outputs on the I-port to the LCN-DMXH. The LCN-DMXH converts these values to the corresponding freely configurable DMX channels.

The LCN-DMXH can be looped into an existing DMX line via existing DMX output. The LCN-DMXH uses its 4 dimming values in 4 (adjustable) DMX addresses. It is also possible to connect up several LCN-DMXH in series to control 8, 12, ... or more channels.



### Hardware equipment:

LCN-DMXH

I-port cable

### Note:

The following periphery should not be connected at the same time:  
LCN-GT4D/-GT10D.

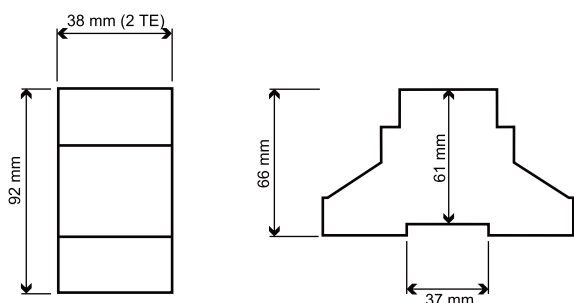
For more detailed information please refer to the installation manual.

# LCN-DMXH

## DMX 512 Master / Slave Controller

### Dimensions:

(L x W x H): 38 mm x 92 mm x 66 mm

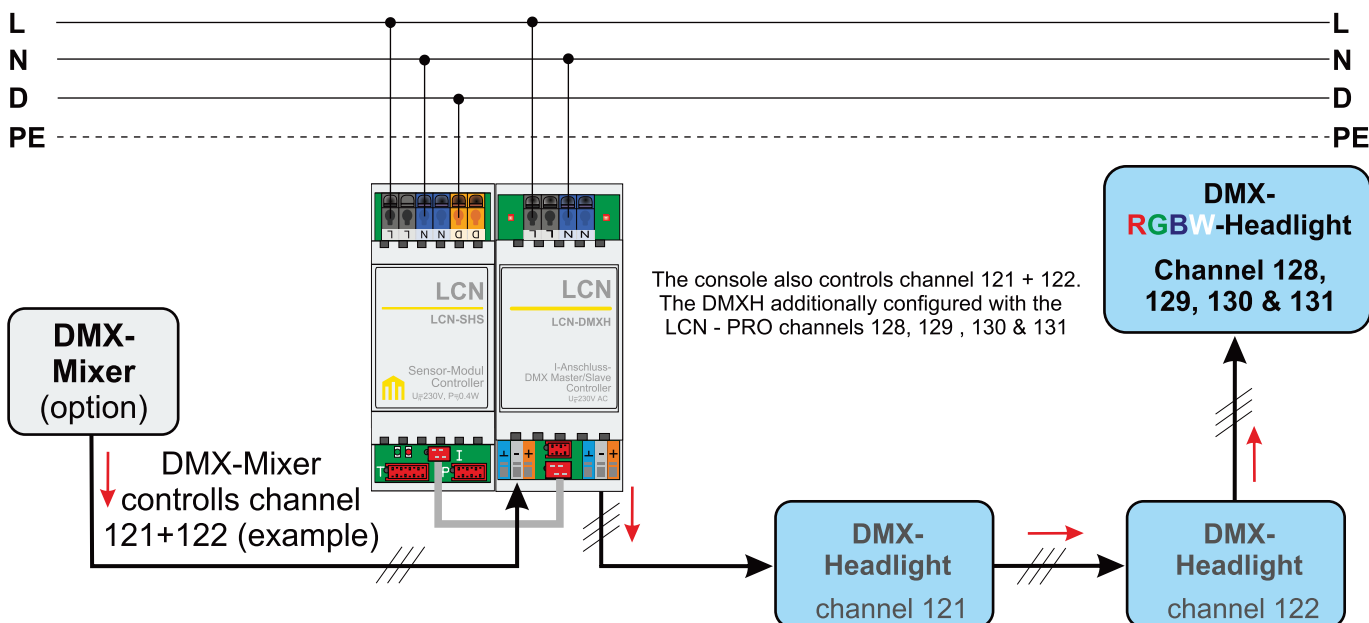


**Height:** 66mm  
61mm via DIN rail

**Space requirement:** 2TE

**Assembly:** REG on 35 mm mounting rail  
(DIN 50022)

### Circuit Diagram:



### Technical Data:

<b>Connection:</b>	
Supply voltage:	230V AC $\pm 15\%$ , 50/60Hz (110V Version lieferbar)
Input power:	3W
Terminals:	Screwless, max. 16A
Cable type:	Single or multi core max. 2,5mm <sup>2</sup> or with insulated ferrules 1,5mm <sup>2</sup>
Output	
Output voltage:	according to DMX - 512A specification, poled interface
Terminals / Conductor Type	solid or strand 0,5-1,5mm <sup>2</sup>
:	
Number DMX participants :	Max. 32 total

<b>General Details:</b>	
Operating temperature:	-10C to +40C
Humidity:	max. 80% rel., no condensation
Environmental conditions:	stationary installation according to VDE 632, VDE 637,

Safety classification: IP 20