

LCN-IS24

24V Isolation-amplifier for DIN rail mounting

The LCN-IS24 isolation amplifier is an LCN coupling module for the LCN bus system. It has connections for the 24V LCN bus and the LCN two-wire bus.

As the module has no processor, setting of parameters through the system software is not necessary.

Field of application:

The LCN-IS24 isolates the data wire through opto couplers and so prevents any accidental energisation of connected devices. As a rule, the LCN-IS24 is used to galvanically isolate a 24V LCN bus with no TN system.

Hardware:

Connections for the 24V LCN bus

Connections for the LCN two-wire-bus

LED-status display on the LCN-IS buffer amplifier for immediate diagnosis.



Hinweis:

Pro Segment darf es nur einen Zwei-Draht-Bus geben.

Die maximale Länge des Zwei-Draht-Bus beträgt, vom ersten bis zum letzten LCN-IS, 50 m.

Es dürfen maximal 15 Teilnehmer (LCN-IS) an einem Zwei-Draht-Bus angeschlossen werden.

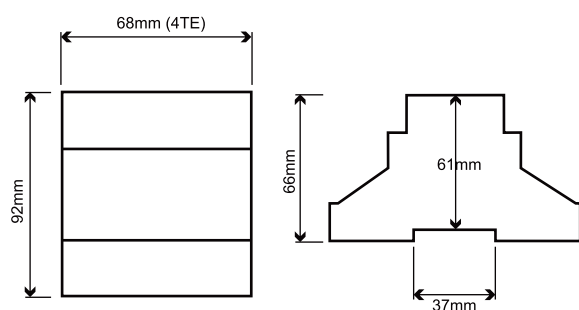
Detaillierte Informationen entnehmen Sie bitte der Installationsanleitung.

LCN-IS24

24V Isolation-amplifier for DIN rail mounting

Dimensions:

(L x W x H): 68 mm x 92 mm x 66 mm

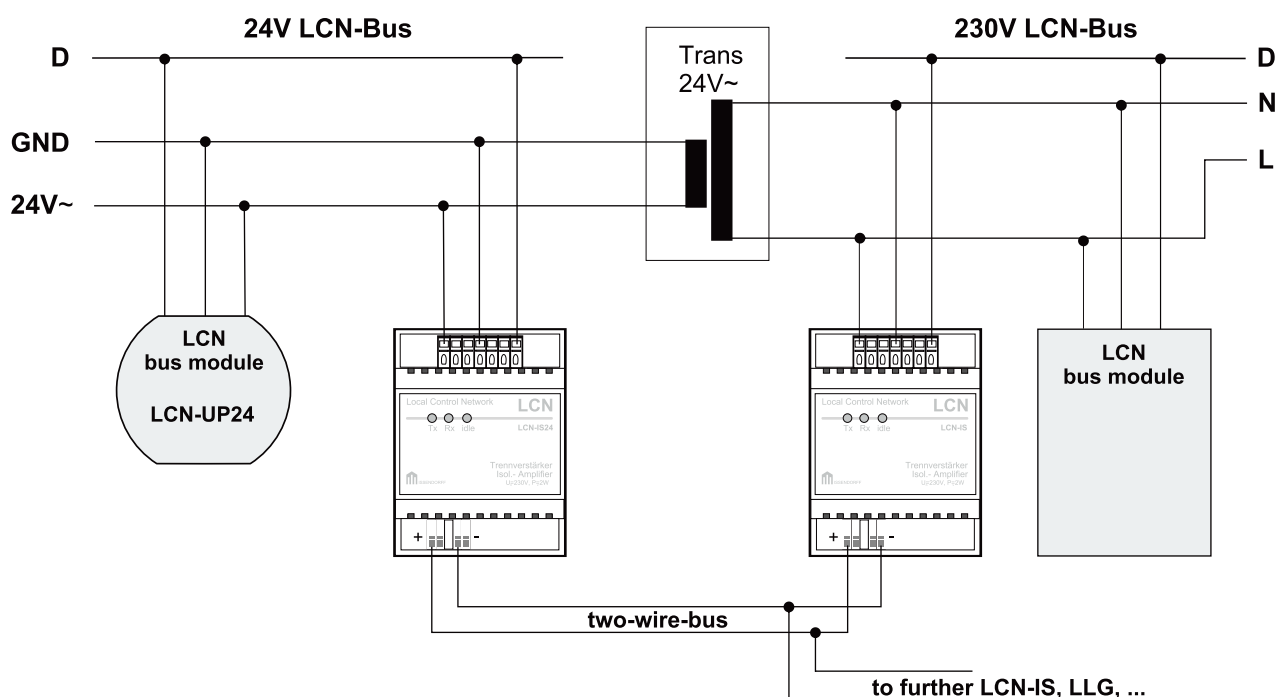


Height: 66mm
61mm via DIN rail

Space requirement: 4TE

Assembly: REG on 35 mm mounting rail
(DIN 50022)

Circuit Diagram:



Technical Data:

Connection:

Supply voltage: 26V AC $\pm 20\%$, 50Hz
Input power: <1.7W power consumption

Terminals : screwless max. 16A
Cable type: single or multi core
(max. 2.5mm²) or with insulated ferrules (max. 1.5mm²)

Two-wire-bus connection:

Terminals screwless
Conductor type: max. 0.8mm \varnothing
Range: max. 50m (total)
Devices: max. 15 (IS24, IS, LLK and/or LLG)

General Details:

Operating temperature: -10C bis +40C
Humidity: max. 80% rel., non condensing
Environmental conditions: stationary installation according to VDE 632, VDE 637

Safety classification: IP 20